



# L I A

'Cutting through darkness'

Designed by  
Peter Straka  
Vienna 2005-07

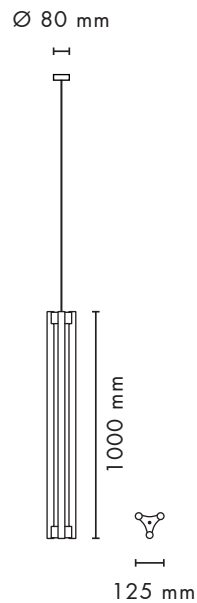
L I A's three-flamed elegance captivates when on, yet this suspension light almost disappears into its surrounding when the lights are off.



Process: The brass is cut, bent in its shape and polished. Then all the components are nickel plated or the brass is brushed and painted with a clear lacquer to maintain the natural effect of the brass. Lastly all parts are assembled to the L I A lighting object.

## L I A

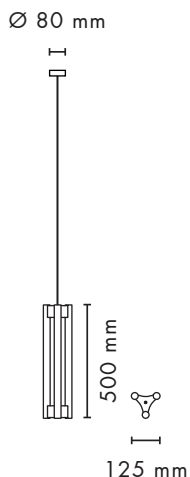
Suspension 100



Type	Suspension light
Material	Brass
Environment	Indoors
Dimension	1000 x 125 mm
Cable Length	Standard mounting 1500 mm
Weight	2.1 kg
Certification	IP20 CE
EU/UK	230 V
Ceiling Rose	Ø 80 x 25 mm; flat Ø 100
Lamps	3 x linear opal LED S14s*, 3 x 15 W, 2700 K, Mains ( Phase) dimmable, 3 x 1000 lm, energy class A
050 01 101 11	polished nickel with transparent cable
050 01 202 12	brushed brass with black fabric cable

**LIA**

Suspension 50

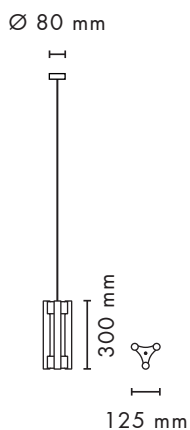


Type	Suspension light
Material	Brass
Environment	Indoors
Dimensions	500 x 125 mm
Cable Length	Standard mounting 1500 mm
Weight	1.9kg
Certification	IP20 CE
EU/UK	230 V
Ceiling Rose	Ø 80 x 25 mm; flat Ø 100
Lamps	3 x linear opal LED S14s*, 3 x 7 W, 2700 K, Mains ( Phase) dimmable, 3 x 470 lm, energy class A

050 02 101 11 Polished nickel with transparent cable  
 050 02 202 12 Brushed brass with black fabric cable

**LIA**

Suspension 30

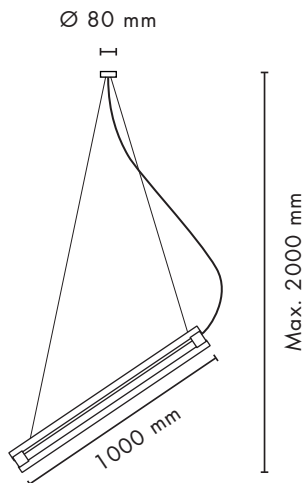


Type	Suspension light
Material	Brass
Environment	Indoors
Dimension	300 x 125 mm
Cable Length	Standard mounting 1500 mm
Weight	1.8 kg
Certification	IP20 CE
EU/UK	230 V
Ceiling Rose	Ø 80 x 25 mm; flat Ø 100
Lamps	3 x linear opal LED S14s*, 3 x 4.5 W, 2700 K, Mains ( Phase) dimmable, 3 x 250 lm, energy class A

050 03 101 11 polished nickel with transparent cable  
 050 03 202 12 brushed brass with black fabric cable

**LIA**

Suspension Diagonal 100

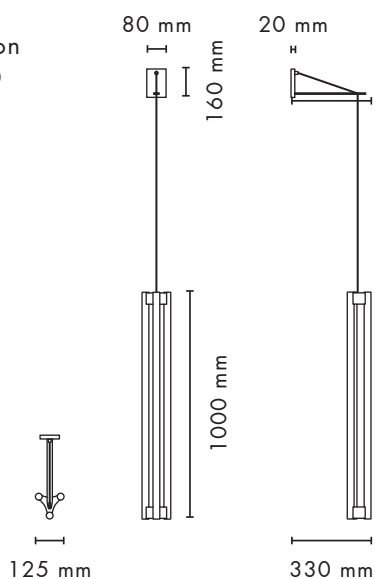


Type	Suspension light
Material	Brass
Environment	Indoors
Dimension	1000/500/300 mm
Cable Length	Standard mounting 1500 mm Max. 2000 mm
Weight	2.1 kg
Certification	IP20 CE
EU/UK	230 V
Ceiling Rose	Ø 80 x 25 mm
Lamps	3 x linear opal LED S14s*, 3 x 15 W, 2700 K, Mains ( Phase) dimmable, 3 x 1000 lm, energy class A

050 04 101 11 polished nickel with transparent cable  
 050 04 202 12 brushed brass with black fabric cable

\* LIA diagonal is available as LIA 100, 50 and 30

**LIA**  
Suspension  
Wall 100

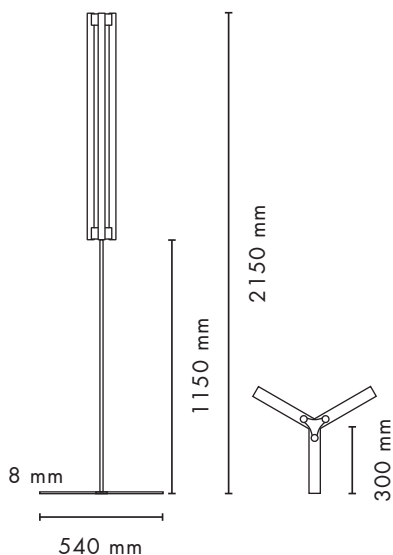


Type	Suspension light
Material	Brass
Environment	Indoors
Dimension	1000/500/300 mm
Wall bracket	330 x 160 x 80 mm
Cable Length	Standard mounting 1500 mm
Weight	2.1 kg
Certification	IP20 CE
EU/UK	230 V
Lamps	3 x linear opal LED S14s*, 3 x 15 W, 2700 K, Mains ( Phase) dimmable, 3 x 1000 lm, energy class A

050 01 101 11	polished nickel with transparent cable
050 01 202 12	brushed brass with black fabric cable
050 11 101 11	polished nickel wall bracket
050 11 202 12	brass wall bracket

\* LIA wall is available as LIA 100, 50 and 30

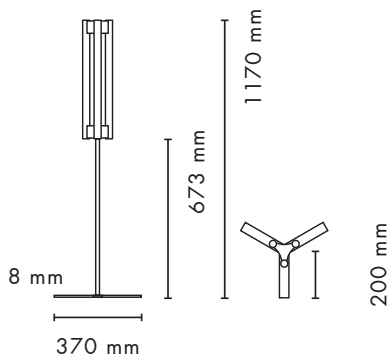
**LIA**  
Floor 100



Type	Floor light
Material	Brass
Environment	Indoors
Dimension	2150 mm
Cable Length	1500 mm
Weight	3 kg
Certification	IP20 CE
EU/UK	230 V
Lamps	3 x linear opal LED S14s*, 3 x 15 W, 2700 K, Mains ( Phase) dimmable, 3 x 1000 lm, energy class A

050 06 101 11	polished nickel with transparent cable. Cord dimmer.
050 06 202 12	brushed brass with black fabric cable. Cord dimmer.

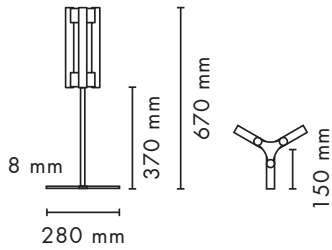
**LIA**  
Floor 50



Type	Floor light
Material	Brass
Environment	Indoors
Dimension	1170 mm
Cable Length	1500 mm
Weight	2.4kg
Certification	IP20 CE
EU/UK	230 V
Lamps	3 x linear opal LED S14s*, 3 x 7 W, 2700 K, Mains ( Phase) dimmable, 3 x 470 lm, energy class A

050 06 101 11	polished nickel with transparent cable. Cord dimmer.
050 06 202 12	brushed brass with black fabric cable. Cord dimmer.

**L I A**  
Table 30



Type	Floor light
Material	Brass
Environment	Indoors
Dimension	670 mm
Cable Length	1500 mm
Weight	2.2 kg
Certification	IP20 CE
EU/UK	230 V
Lamps	3 x linear opal LED S14s*, 3 x 4.5 W, 2700K, Mains ( Phase) dimmable, 3 x 250 lm, energy class A
050 08 101 11	polished nickel with transparent cable. Cord dimmer.
050 08 202 12	brushed brass with black fabric cable. Cord dimmer.

\* On very rare occasions, these lamps may appear to have a slight buzzing or flickering. As is the case with all retro LED lamps, this is likely caused by a number of outside influences such as incorrect installation, wiring, dimming or transformers and in some instances low electrical resistance.

\*\* Please contact sales@kaialighting.com for further information on dimmers etc. Please note KAIA Ltd cannot take any responsibility for the connection with your dimming or central control system. It is the customer's responsibility to ensure the compatibility with their systems.